

2J2124B-B05H

CELLULAR / LTE Wall Mount

Key Features

CELLULAR / LTE

- 698-960 MHz
- 1710-2170 MHz
- 2500-2700 MHz

Wall Mount

High Performance

Ground Plane Independent

Customized Cable and Connector

Dimensions 325 × 36 × 155 (220 × Ø 16) mm

Certificates: IP67



1. Antenna and electrical specifications

Parameters	CELLULAR / LTE Antenna		
Standards	2G,3G and 4G		
Band (MHz)	700/850/900	1700/1800/1900/2100	2600
Frequency (MHz)	698-960	1710-2170	2500-2700
Return Loss (dB)	~-8.6	~-16.8	~-14.7
VSWR	~2.4:1	~1.4:1	~1.5:1
Efficiency (%)	~54.7	~56.8	~48.8
Peak Gain (dBi)	~-2.2	~3.0	~0.4
Average Gain (dB)	~-2.7	~-2.5	~-3.1
Impedance (Ohm)	50		
Polarisation	Linear		
Radiation Pattern	Omni-Directional		
Max. Input Power (W)	25		
Connector Type	Most RF Connectors (SMA-Male Standard)		
Cable Length	Any Cable Length (300cm Standard)		
Cable Type	Other Cables Available (LL195 Standard)		

Antenna Measurement Conditions:

Free Space

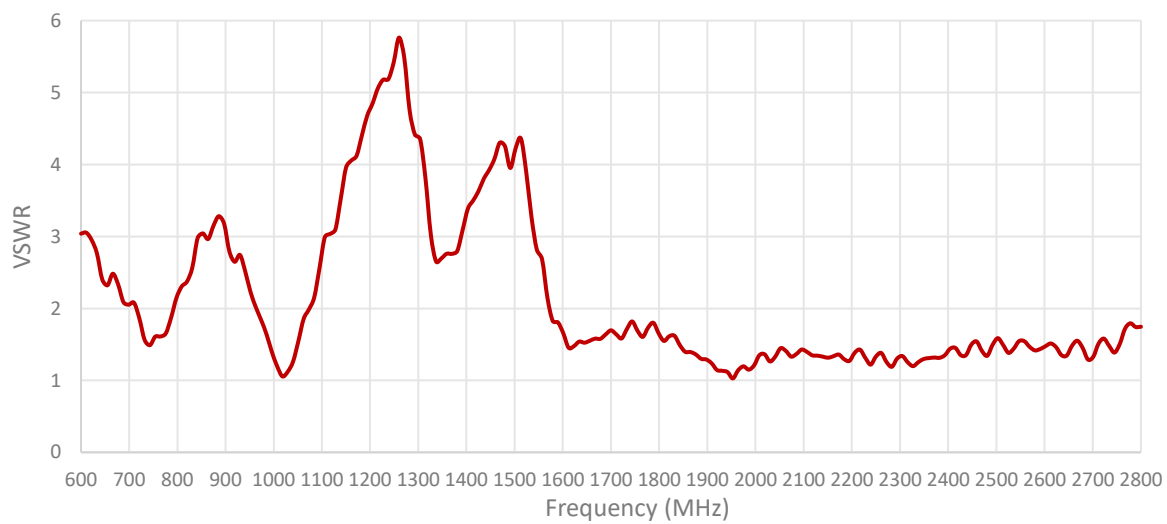
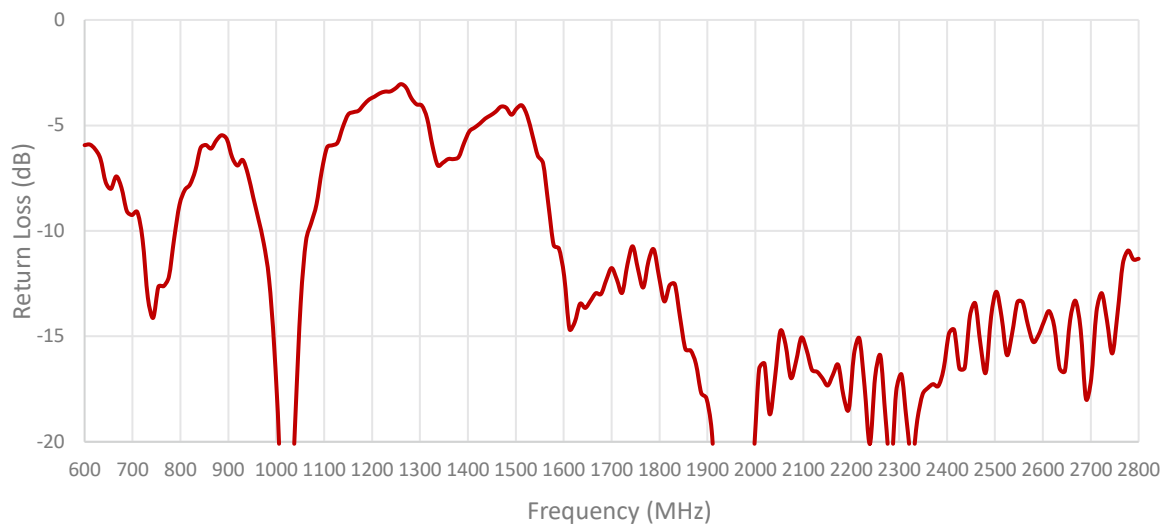
200 cm LL195 Cable

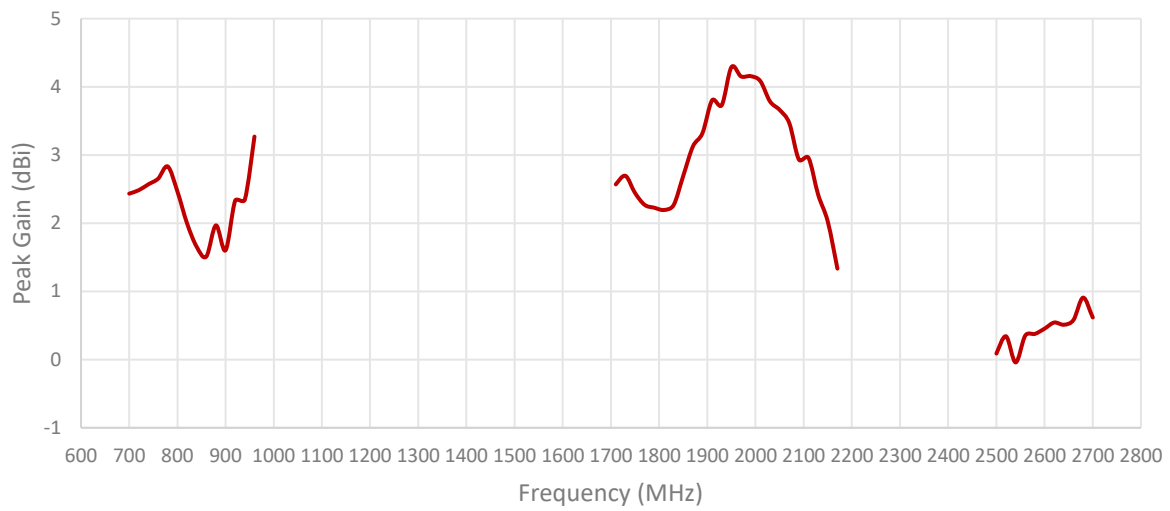
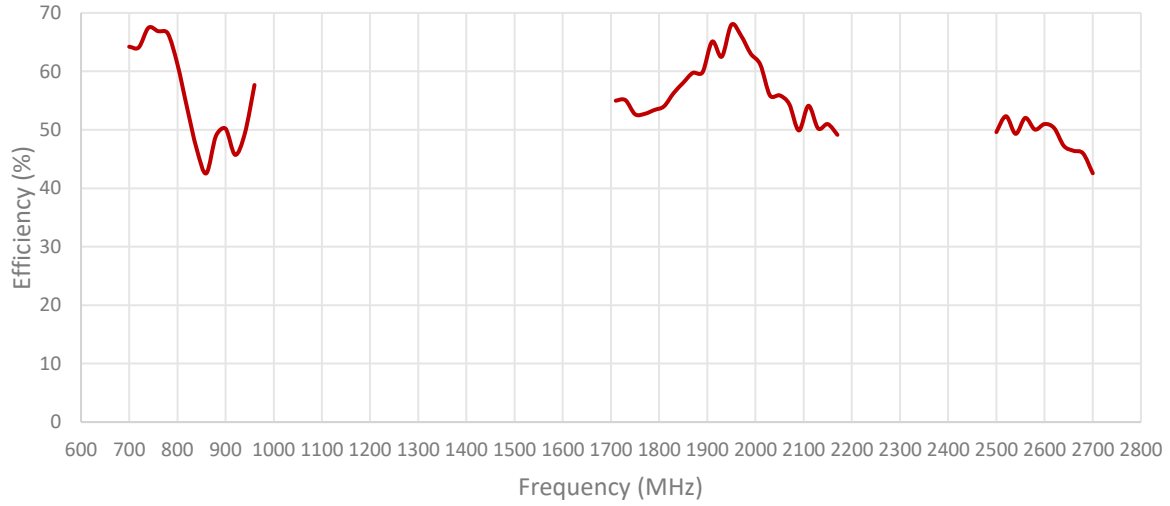
Measured in Certified CTIA 3D Anechoic Chamber

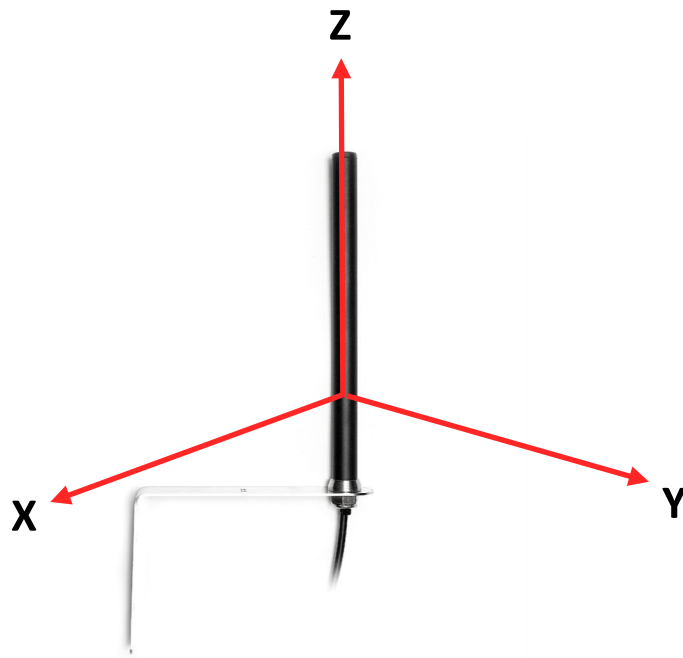
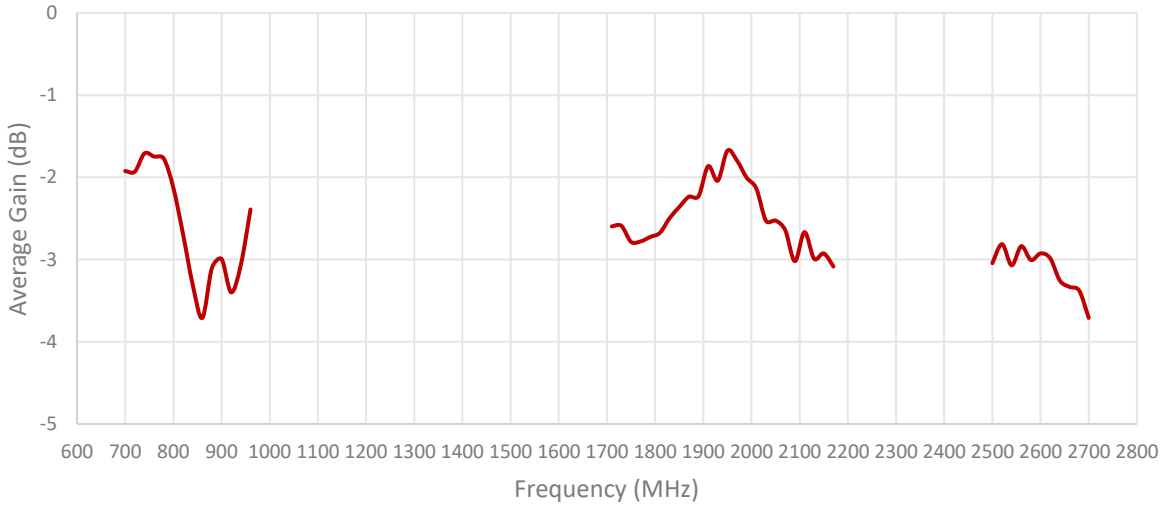
2. Mechanical and environmental specifications

Specifications	2J2124B-B05H
Mounting Type	Wall Mount
Dimensions (mm)	325 × 36 × 155 (220 × Ø 16)
Radome	ASA
Radome color	Black
Antenna Base	Brass
Bracket	Stainless Steel
Operating Temperature (C)	-40 to +85
Storage Temperature (C)	-40 to +85
Substance Compliance	RoHS
Certificates	IP67

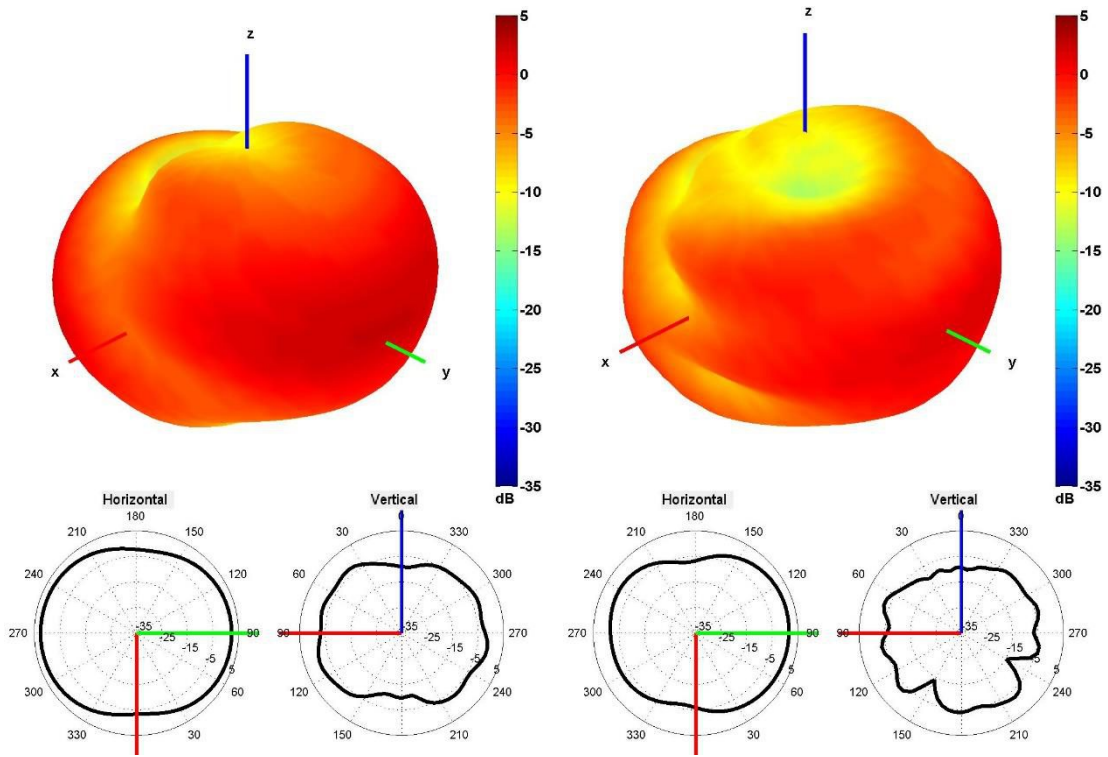
3. Antenna parameters



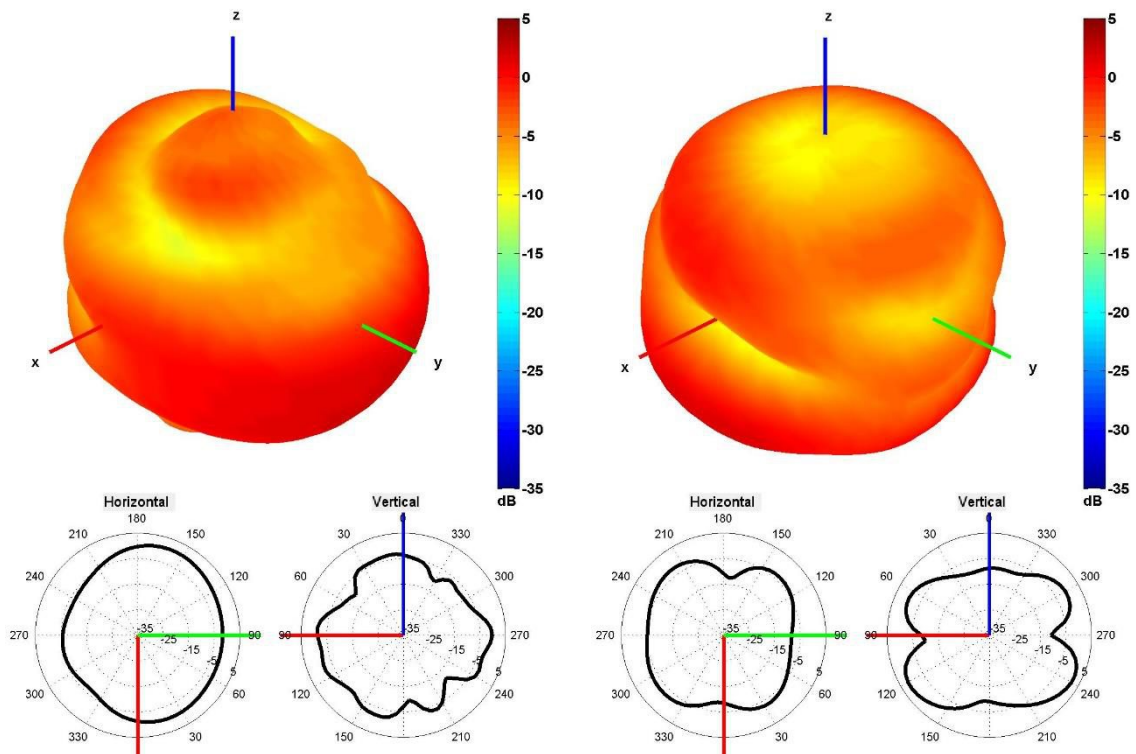




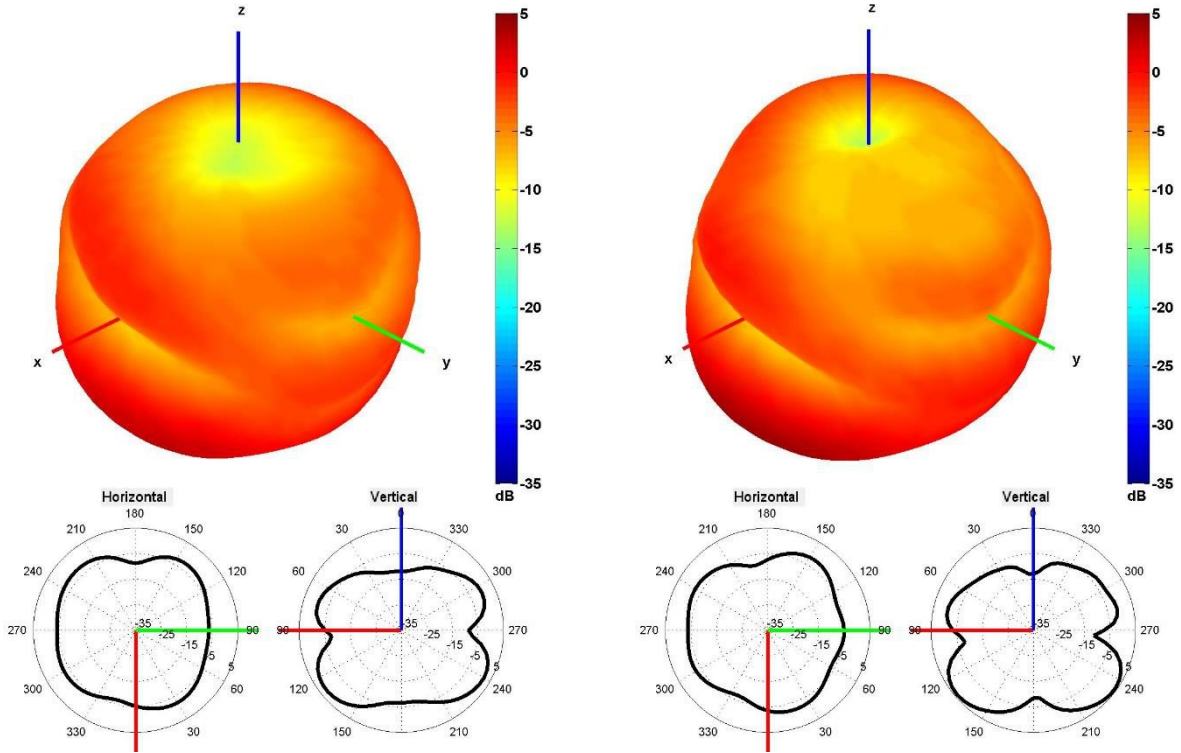
Radiation pattern reference



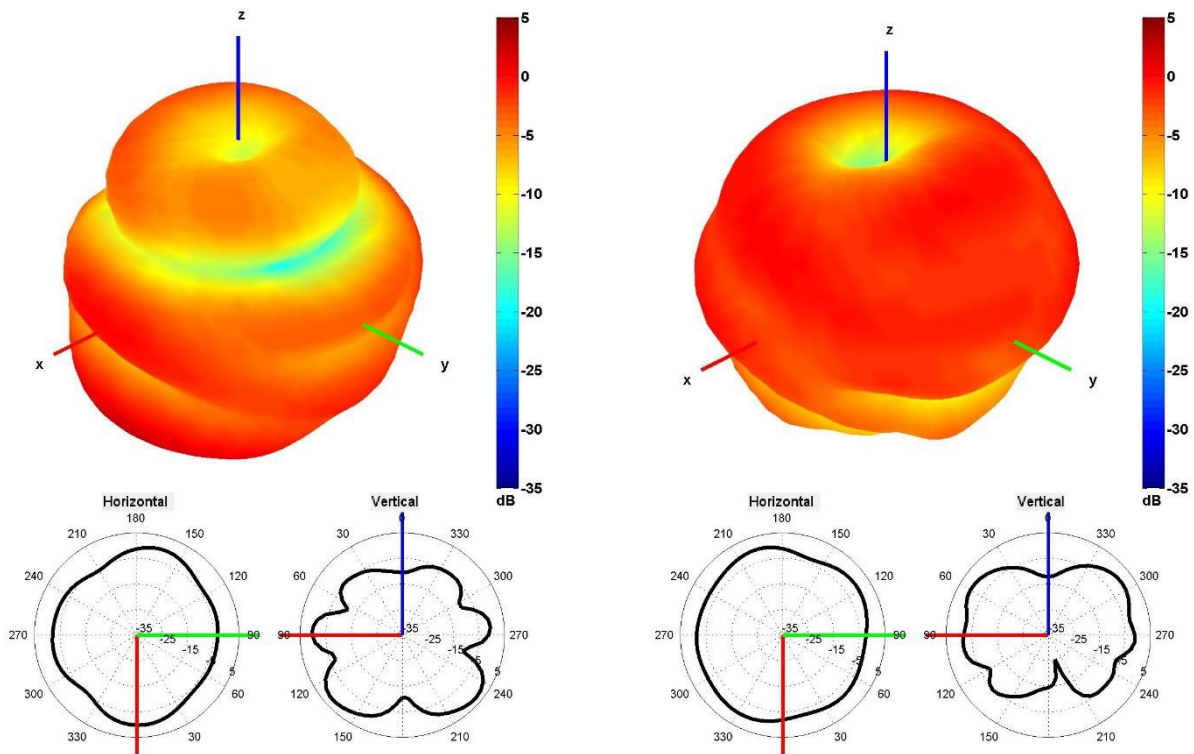
750 and 850 MHz Radiation pattern



940 and 1750 MHz Radiation pattern

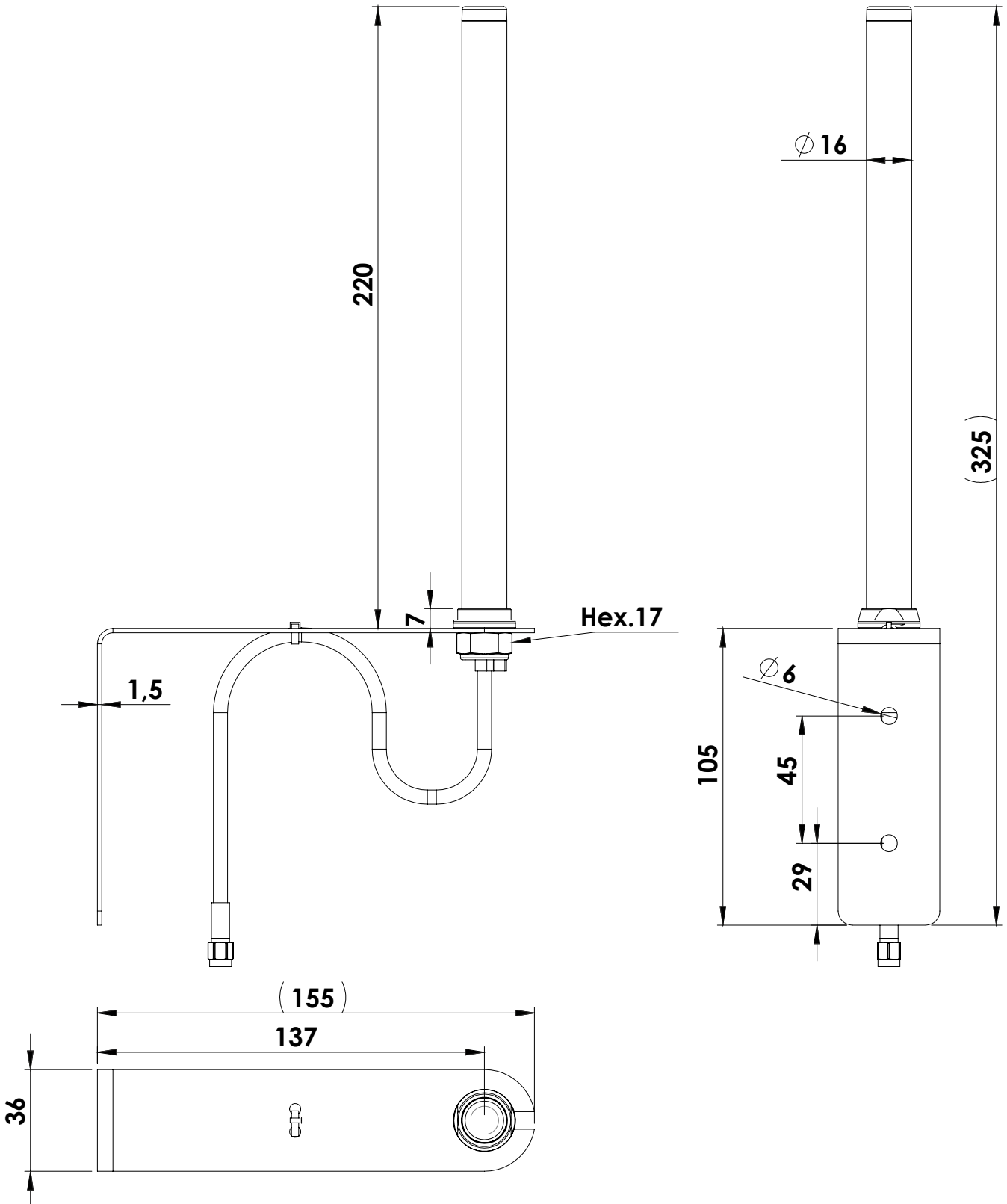


1850 and 1950 MHz Radiation pattern



2100 and 2600 MHz Radiation pattern

4. Antenna drawings



5. Antenna Images

